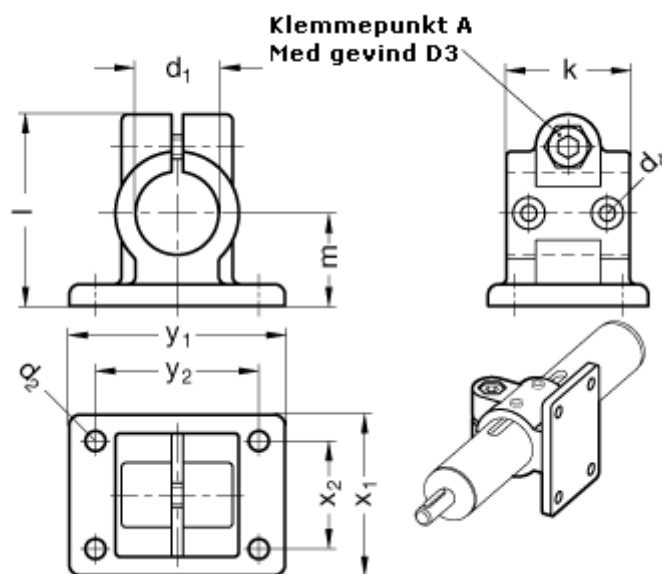


Article number: 201461G402SW

Description: E+G Flanged linear actuator
GN146.1-G40-2-SW

Measures



$d_1 = G40$	$x_2 = 52$
$d_2 = 8,5$	$y_1 = 108$
$d_3 = M10$	$y_2 = 82$
$d_4 = M10$	
$k = 56$	
$l = 83$	
$m = 42$	
$x_1 = 78$	